

**Product number FA11905\_TINA3-S**

Family	Tina	FWHM	10 degrees
Type	Assembly	Efficiency	86 %
LED	XP-E	cd/lm	15.800
Color	White	Gerber File	Available
Diameter	16.1 mm		
Height	11.4 mm		
Style	Round		
Optic Material	PMMA		
Holder Material	-		
Fastening	["tape", "pin"]		
Status	Production ready		

**Product number CA13043\_TINA3-W**

Family	Tina	FWHM	32 degrees
Type	Assembly	Efficiency	93 %
LED	XP-E	cd/lm	2.000
Color	White	Gerber File	Available
Diameter	16.1 mm		
Height	7.29 mm		
Style	Round		
Optic Material	PMMA		
Holder Material	-		
Fastening	["tape"]		
Status	Production ready		

**Product number CA12892\_TINA3-WW**

Family	Tina	FWHM	39 degrees
Type	Assembly	Efficiency	93 %
LED	XP-E	cd/lm	1.400
Color	White	Gerber File	Available
Diameter	16.1 mm		
Height	7.29 mm		
Style	Round		
Optic Material	PMMA		
Holder Material	-		
Fastening	["tape"]		
Status	Production ready		

**Product number FA11824\_TINA3-W**

Family	Tina	FWHM	41 degrees
Type	Assembly	Efficiency	93 %
LED	XP-E	cd/lm	1.780
Color	White	Gerber File	Available
Diameter	16.1 mm		
Height	6.9 mm		
Style	Round		
Optic Material	PMMA		
Holder Material	-		
Fastening	["tape", "pin"]		
Status	Production ready		

**Product number CA13044\_TINA3-OO**

Family	Tina	FWHM	48+34 degrees
Type	Assembly	Efficiency	93 %
LED	XP-E	cd/lm	1.500
Color	White	Gerber File	Available
Diameter	16.1 mm		
Height	7.29 mm		
Style	Round		
Optic Material	PMMA		
Holder Material	-		
Fastening	["tape"]		
Status	Production ready		

**Product number FA11870\_TINA3-OO**

Family	Tina	FWHM	52+35 degrees
Type	Assembly	Efficiency	93 %
LED	XP-E	cd/lm	1.660
Color	White	Gerber File	Available
Diameter	16.1 mm		
Height	6.9 mm		
Style	Round		
Optic Material	PMMA		
Holder Material	-		
Fastening	["tape", "pin"]		
Status	Production ready		

**Product number FA11825\_TINA3-WW**

Family	Tina	FWHM	54 degrees
Type	Assembly	Efficiency	93 %
LED	XP-E	cd/lm	1.160
Color	White	Gerber File	Available
Diameter	16.1 mm		
Height	6.9 mm		
Style	Round		
Optic Material	PMMA		
Holder Material	-		
Fastening	["tape", "pin"]		
Status	Production ready		

**Product number CA13045\_TINA3-WWW**

Family	Tina	FWHM	57 degrees
Type	Assembly	Efficiency	92 %
LED	XP-E	cd/lm	0.800
Color	White	Gerber File	Available
Diameter	16.1 mm		
Height	7.29 mm		
Style	Round		
Optic Material	PMMA		
Holder Material	-		
Fastening	["tape"]		
Status	Production ready		

**PRODUCT DATASHEET**  
**Tina series**

last update 16/12/2016

**Product number** FA11826\_TINA3-WWW

Family	Tina	FWHM	79 degrees
Type	Assembly	Efficiency	92 %
LED	XP-E	cd/lm	0.460
Color	White	Gerber File	Available
Diameter	16.1 mm		
Height	6.9 mm		
Style	Round		
Optic Material	PMMA		
Holder Material	-		
Fastening	["tape", "pin"]		
Status	Production ready		

**NOTE: The typical divergence will be changed by different color, chip size and chip position tolerance. The typical total divergence is the full angle measured where the luminous intensity is half of the peak value.**



## PRODUCT DATASHEET

### Tina series

last update 16/12/2016

#### GENERAL INFORMATION

- Product series especially designed & optimized for XP-E series of LEDs.
- Special care taken to make light distribution as uniform as possible.
- Lens material optical grade PMMA with high UV and temperature resistance. Allows use of high current and temperature conditions.

Please find more information about used material from below:

[http://ledil.fi/sites/default/files/Documents/Technical/Material/PMMA%20N%20UL94\\_Yellow%20Card.pdf](http://ledil.fi/sites/default/files/Documents/Technical/Material/PMMA%20N%20UL94_Yellow%20Card.pdf)

<http://ledil.fi/sites/default/files/Documents/Technical/Material/PMMA%20N%20PLEXIGLAS-Datasheet.pdf>

D

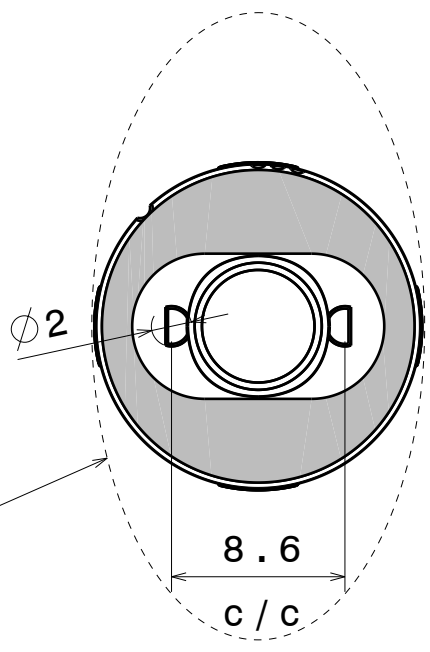
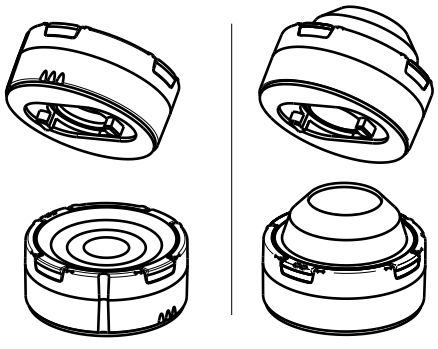
C

B

A

4

4

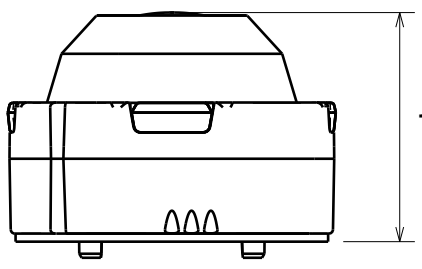


Oval beam direction

8.6  
c / c

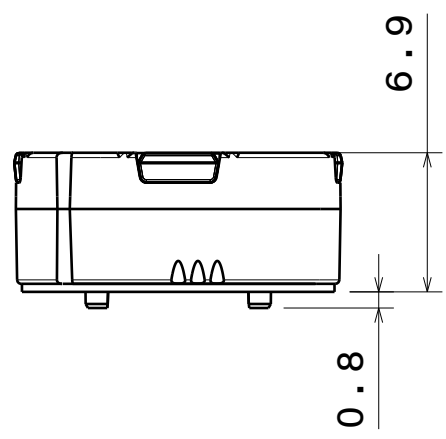
3

3



Spot version height

11.4

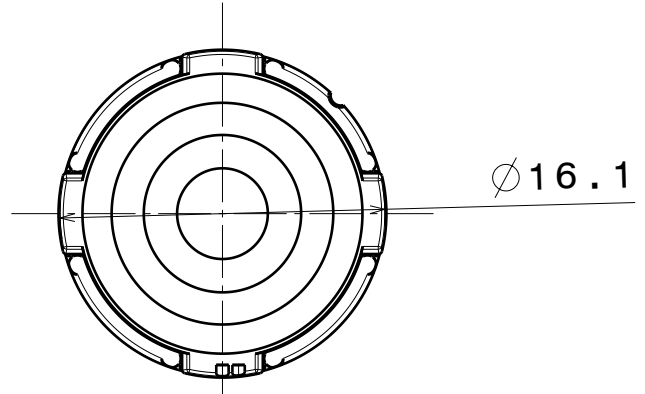


6.9

0.8

2

2



16.1

Top view

Tolerances if not otherwise shown  
 According to DIN ISO 2768-1  
 Linear measures:  
 Up to 30mm class M, otherwise class C.  
 According to DIN ISO 2768-2  
 Form and position: class L

**LEDiL** LediL Oy  
 Salorankatu 10  
 FIN 24240 SALO  
 Finland

THIRD ANGLE PROJECTION:

DRAWING TITLE  
**TINA3 Datasheet**

This drawing is the property of LEDiL Oy. It may not be reproduced, copied or communicated without a written agreement with LEDiL Oy."

SIZE	PART NUMBER
A4	-

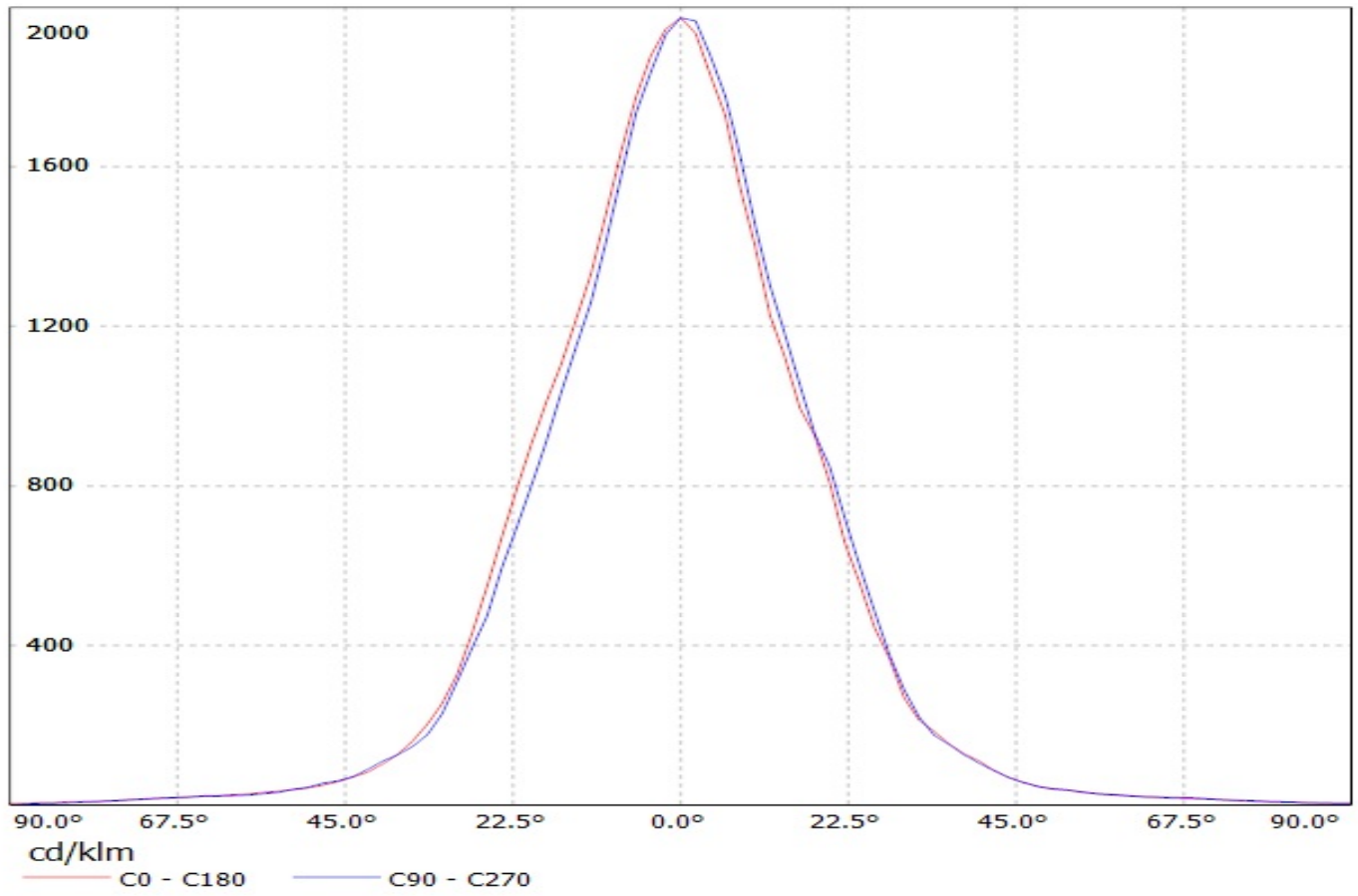
SCALE	4:3	WEIGHT	-	SHEET	1/1
-------	-----	--------	---	-------	-----

D

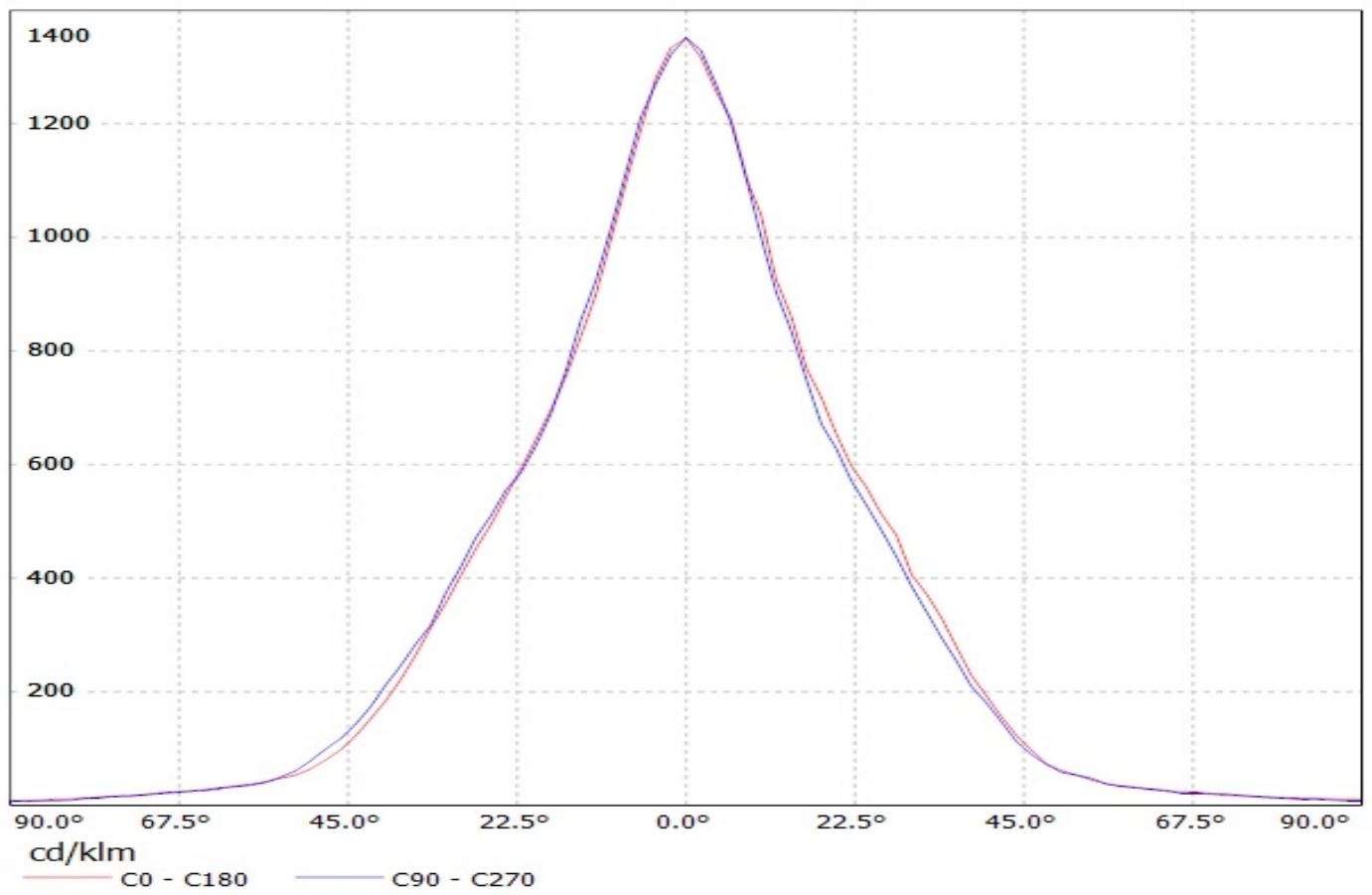
A

1

Luminaire: Ledil Oy CA13043\_TINA3-W (Cree XP-E 76lm @ 250mA) Efficiency=93%  
Lamps: 1 x Cree XP-E 76lm @ 250mA

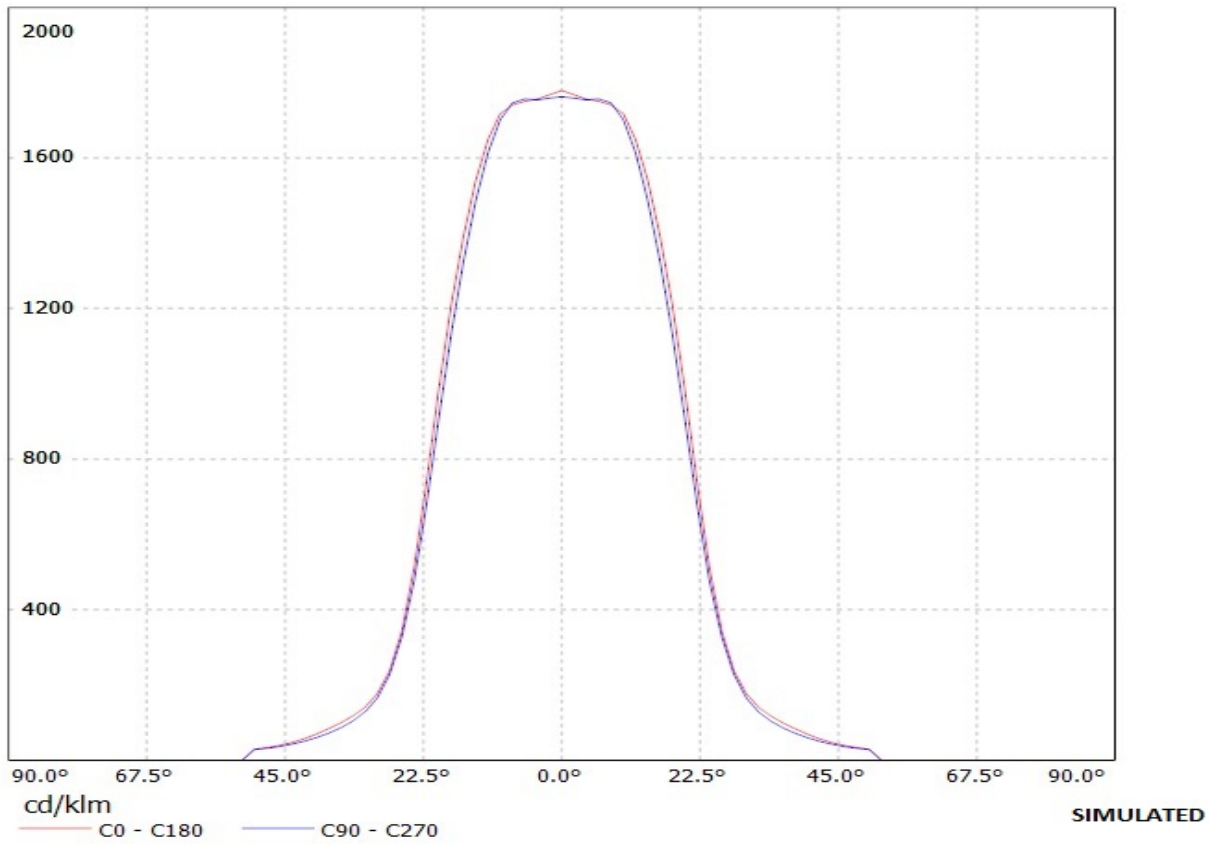


Luminaire: Ledil Oy CA12892\_TINA3-WW (Cree XP-E 76lm @ 250mA) Efficiency=93%  
Lamps: 1 x Cree XP-E 76lm @ 250mA



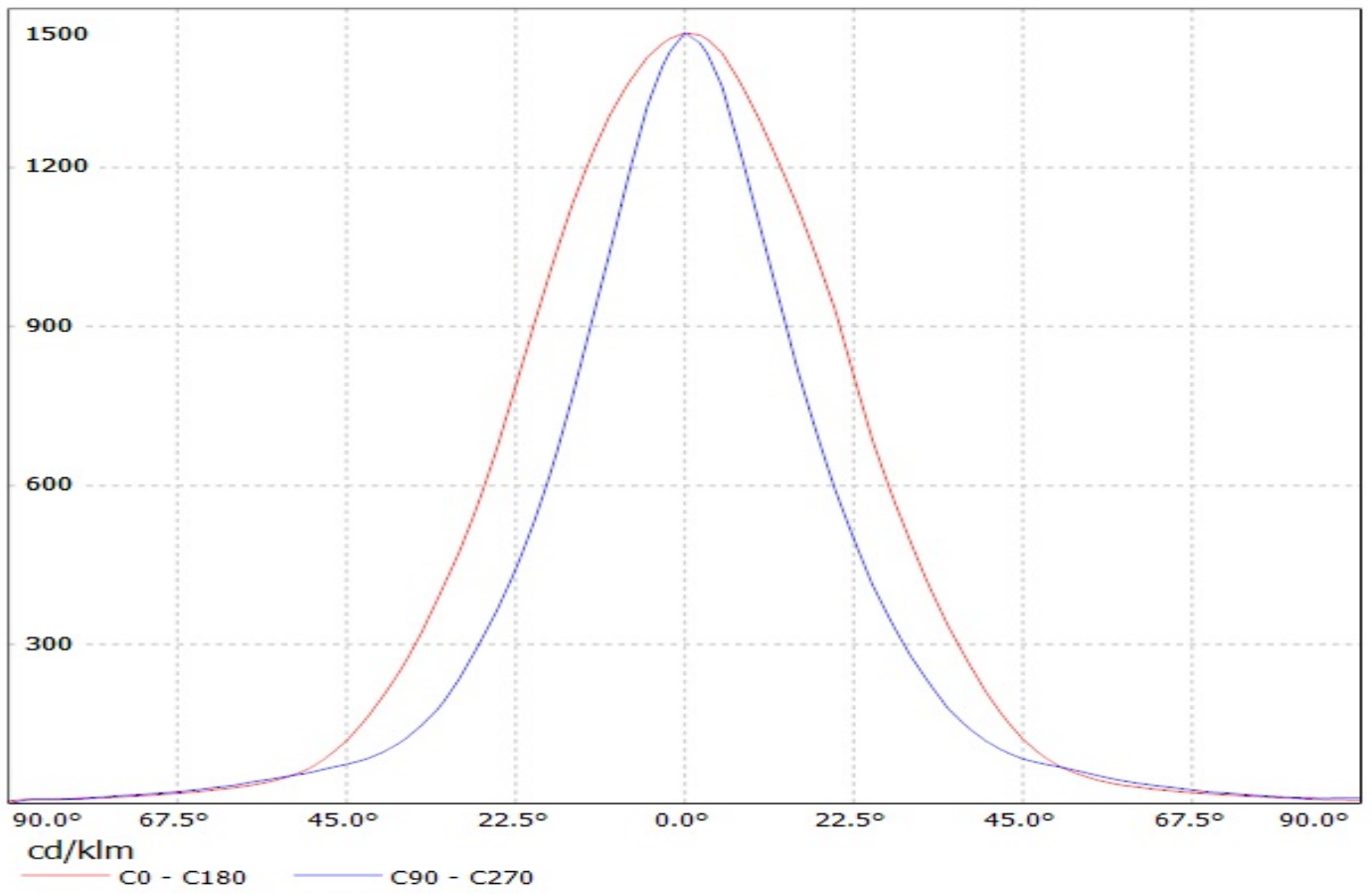
Ledil Oy FA11824\_Tina3-W-XP FA11824\_Tina3-W-XP Cree XP-E white 72lm @ 250mA / LDC  
(Linear)

Luminaire: Ledil Oy FA11824\_Tina3-W-XP FA11824\_Tina3-W-XP Cree XP-E white 72lm @ 250mA  
Lamps: 1 x Cree XP-E white 72lm @ 250mA



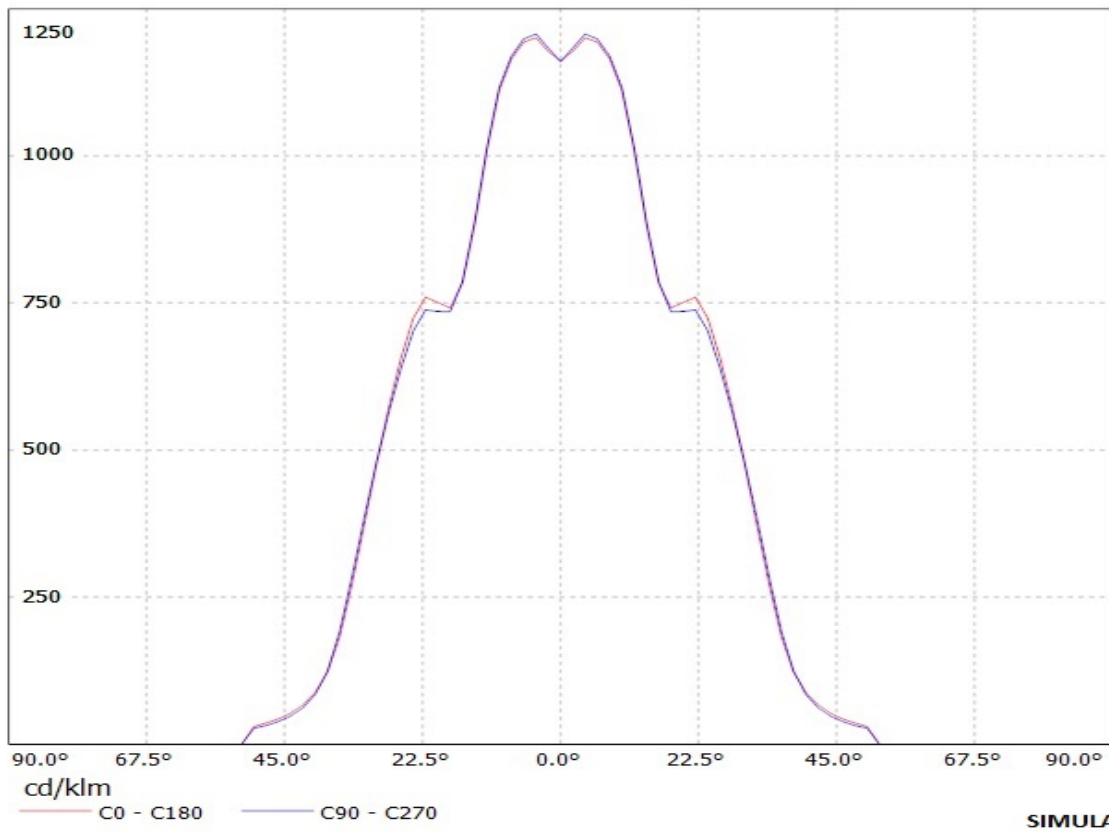


Luminaire: Ledil Oy CA13044\_TINA3-00 (Cree XP-E 76lm @ 250mA) Efficiency=93%  
Lamps: 1 x Cree XP-E 76lm @ 250mA

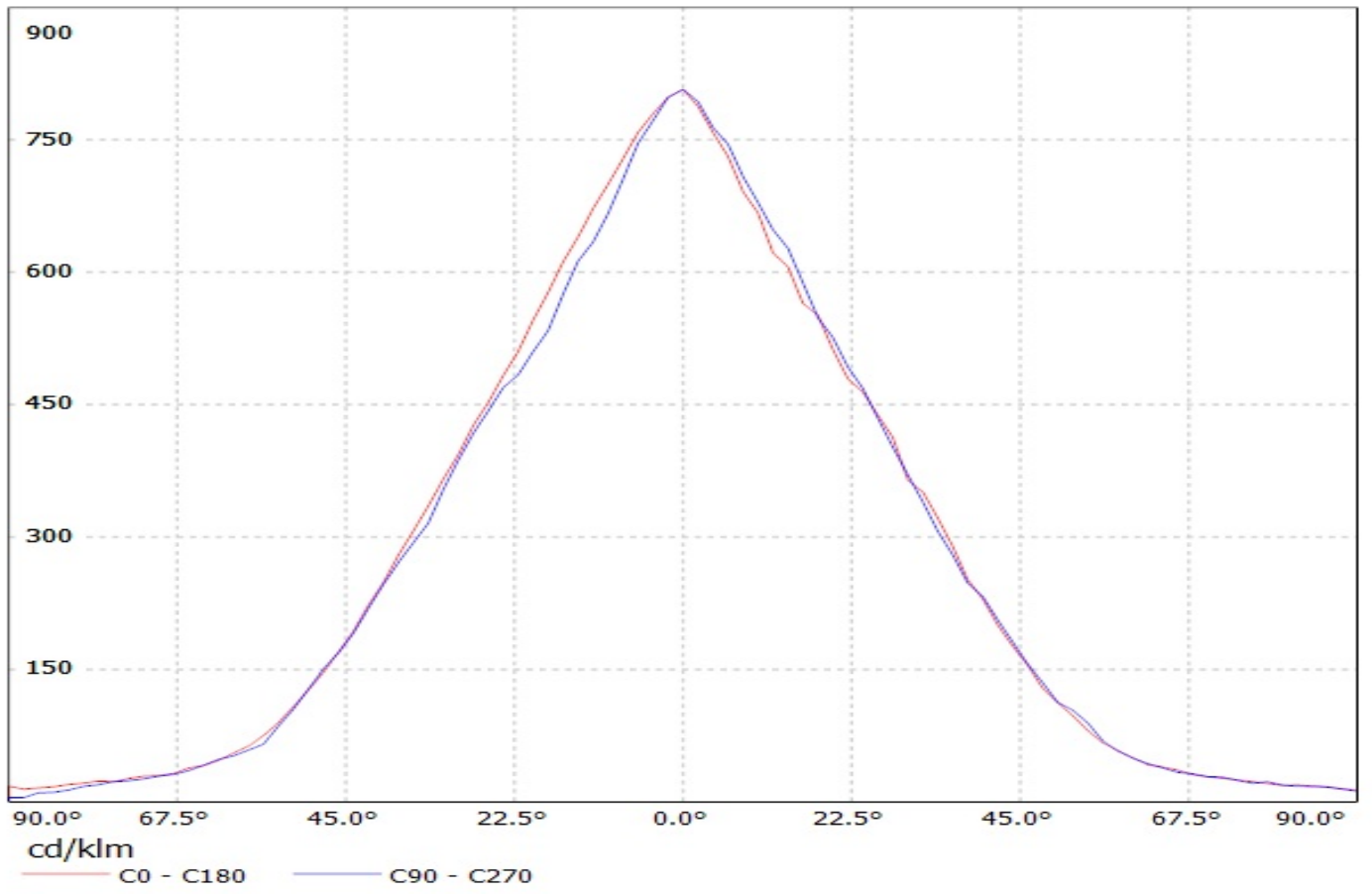


Ledil Oy FA11825\_Tina3-WW-XP FA11825\_Tina3-WW-XP Cree XP-E (white) 72lm @ 250mA / LDC  
(Linear)

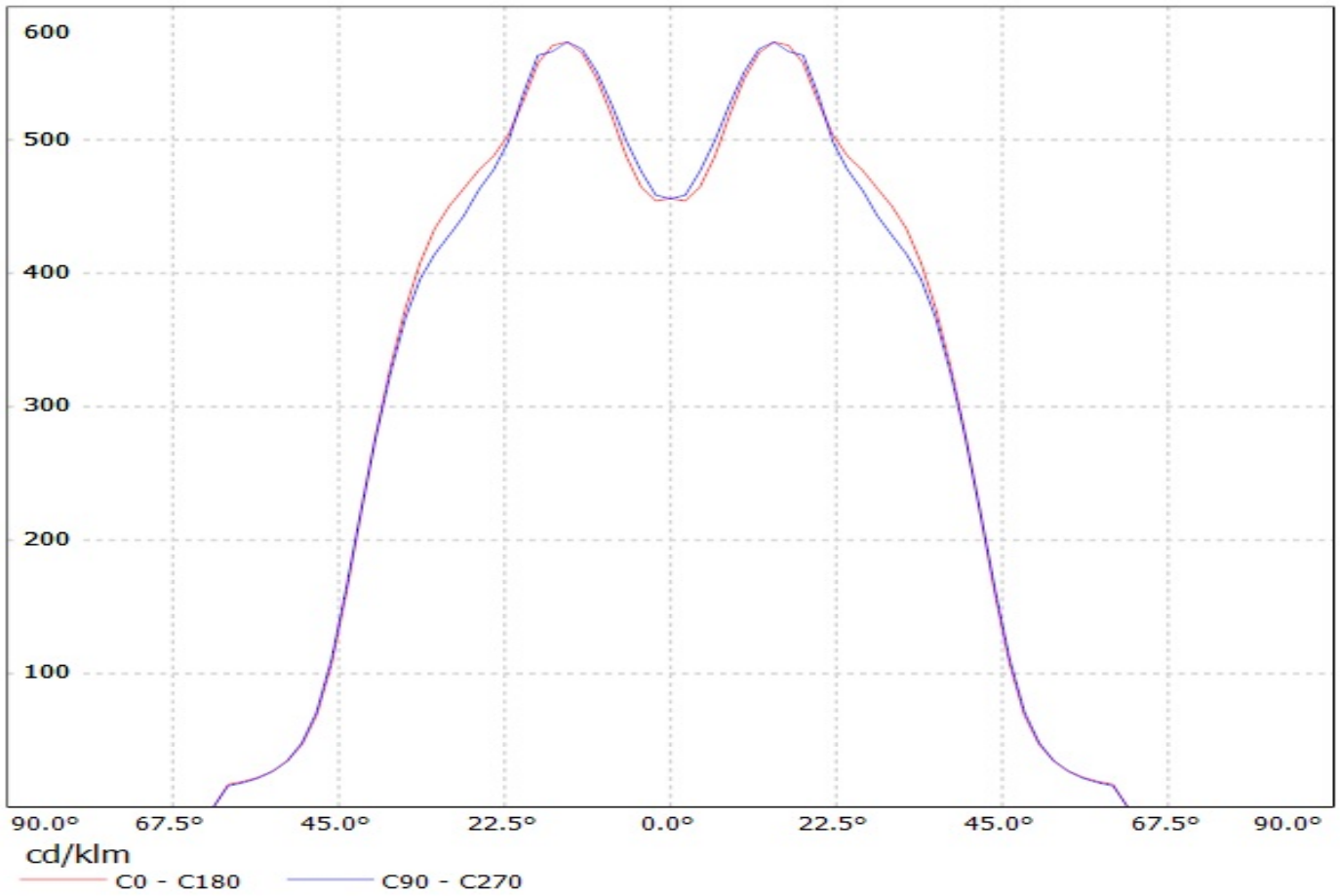
Luminaire: Ledil Oy FA11825\_Tina3-WW-XP FA11825\_Tina3-WW-XP Cree XP-E (white) 72lm @ 250mA  
Lamps: 1 x Cree XP-E white



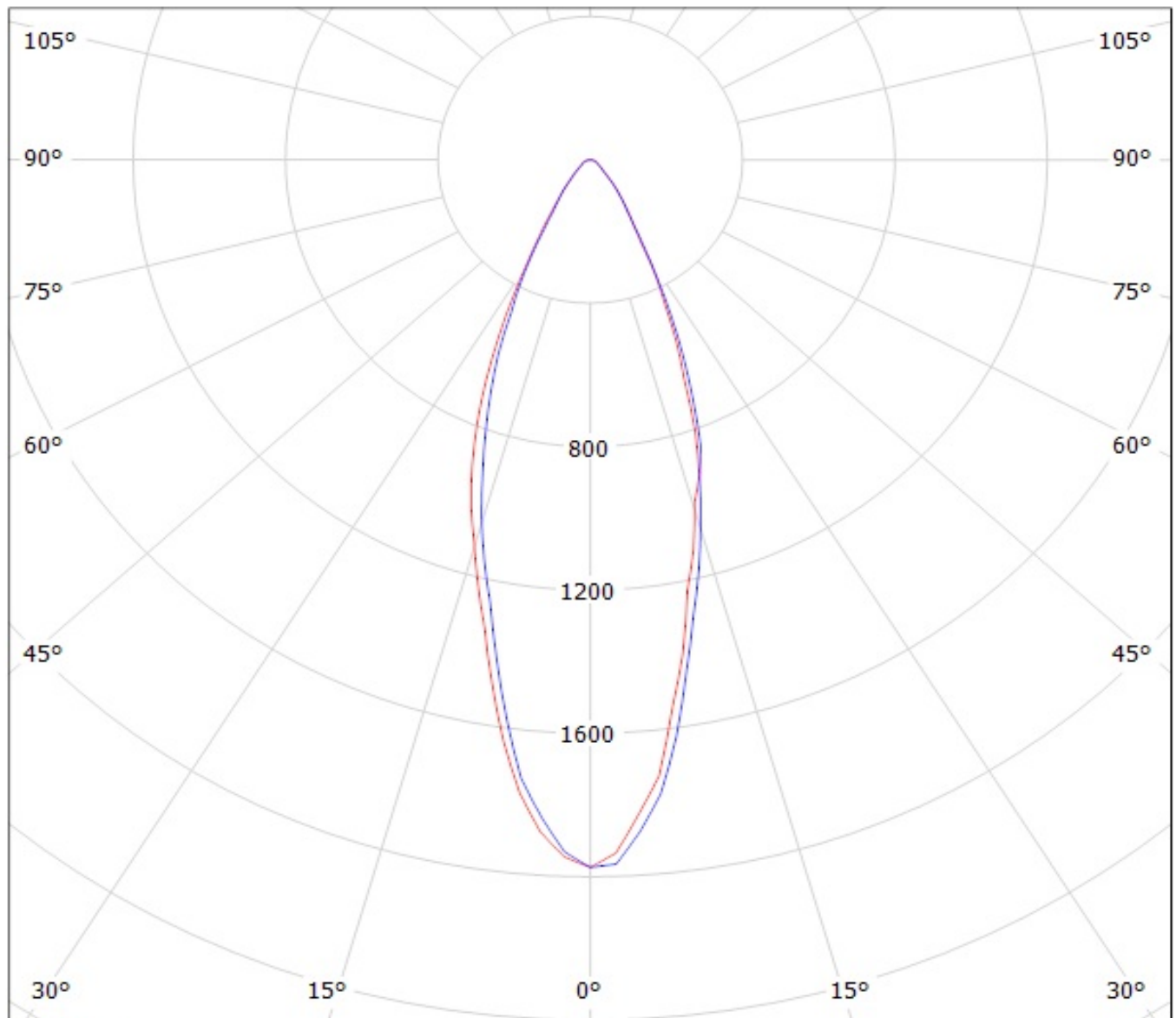
Luminaire: Ledil Oy CA13045\_TINA3-WWW (Cree XP-E 76lm @ 250mA) Efficiency=92%  
Lamps: 1 x Cree XP-E 76lm @ 250mA



Luminaire: Ledil Oy FA11826\_Tina3-WWW-XP FA11826\_Tina3-WWW-XP Cree XP-E white 75lm @ 250mA  
Lamps: 1 x Cree XP-E white



Luminaire: Ledil Oy CA13043\_TINA3-W (Cree XP-E 76lm @ 250mA) Efficiency=93%  
Lamps: 1 x Cree XP-E 76lm @ 250mA

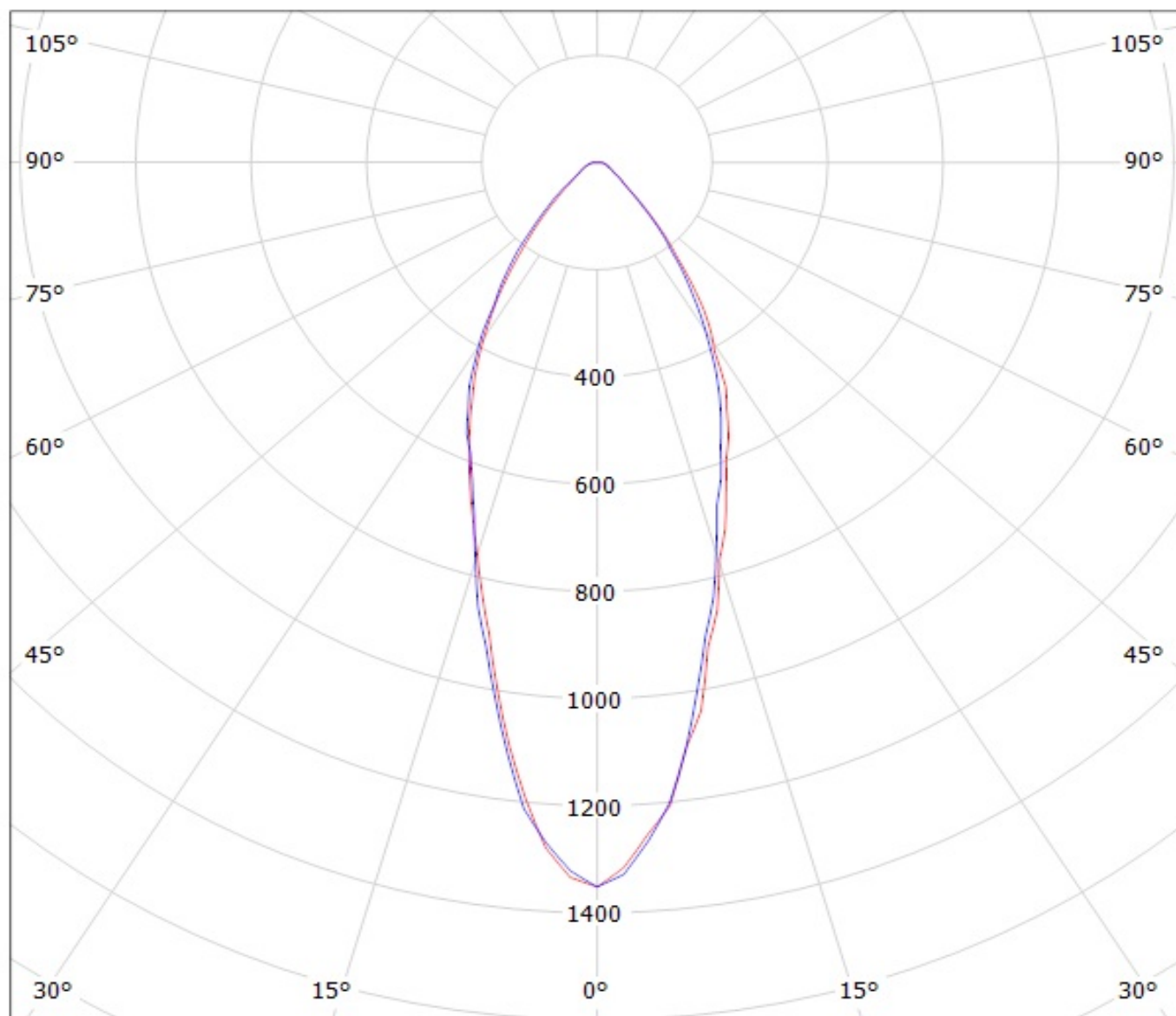


cd/klm

— C0 - C180

— C90 - C270

Luminaire: Ledil Oy CA12892\_TINA3-WW (Cree XP-E 76lm @ 250mA) Efficiency=93%  
Lamps: 1 x Cree XP-E 76lm @ 250mA



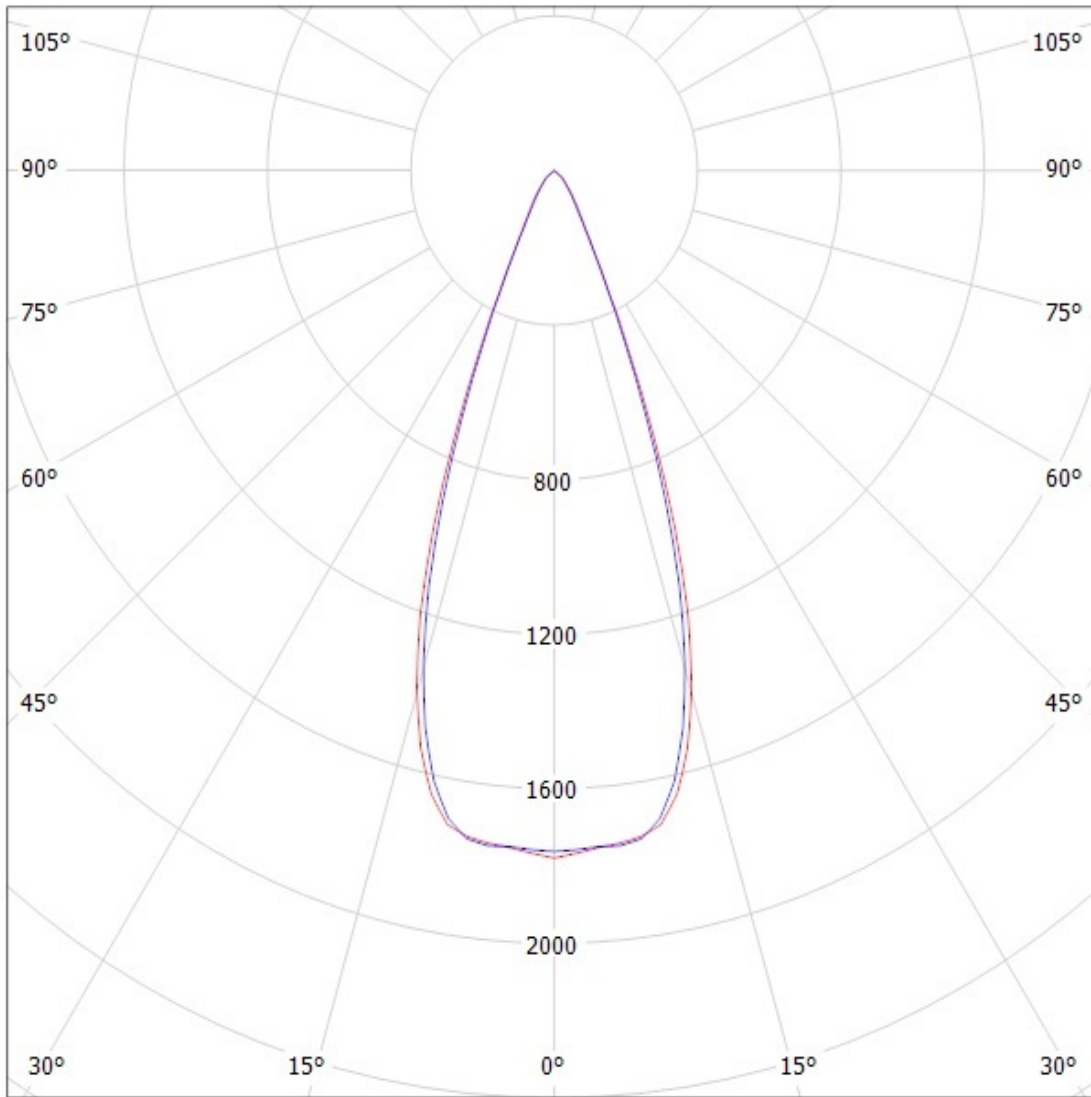
cd/klm

— C0 - C180

— C90 - C270

Ledil Oy FA11824\_Tina3-W-XP FA11824\_Tina3-W-XP Cree XP-E white 72lm @ 250mA / LDC  
(Polar)

Luminaire: Ledil Oy FA11824\_Tina3-W-XP FA11824\_Tina3-W-XP Cree XP-E white 72lm @ 250mA  
Lamps: 1 x Cree XP-E white 72lm @ 250mA

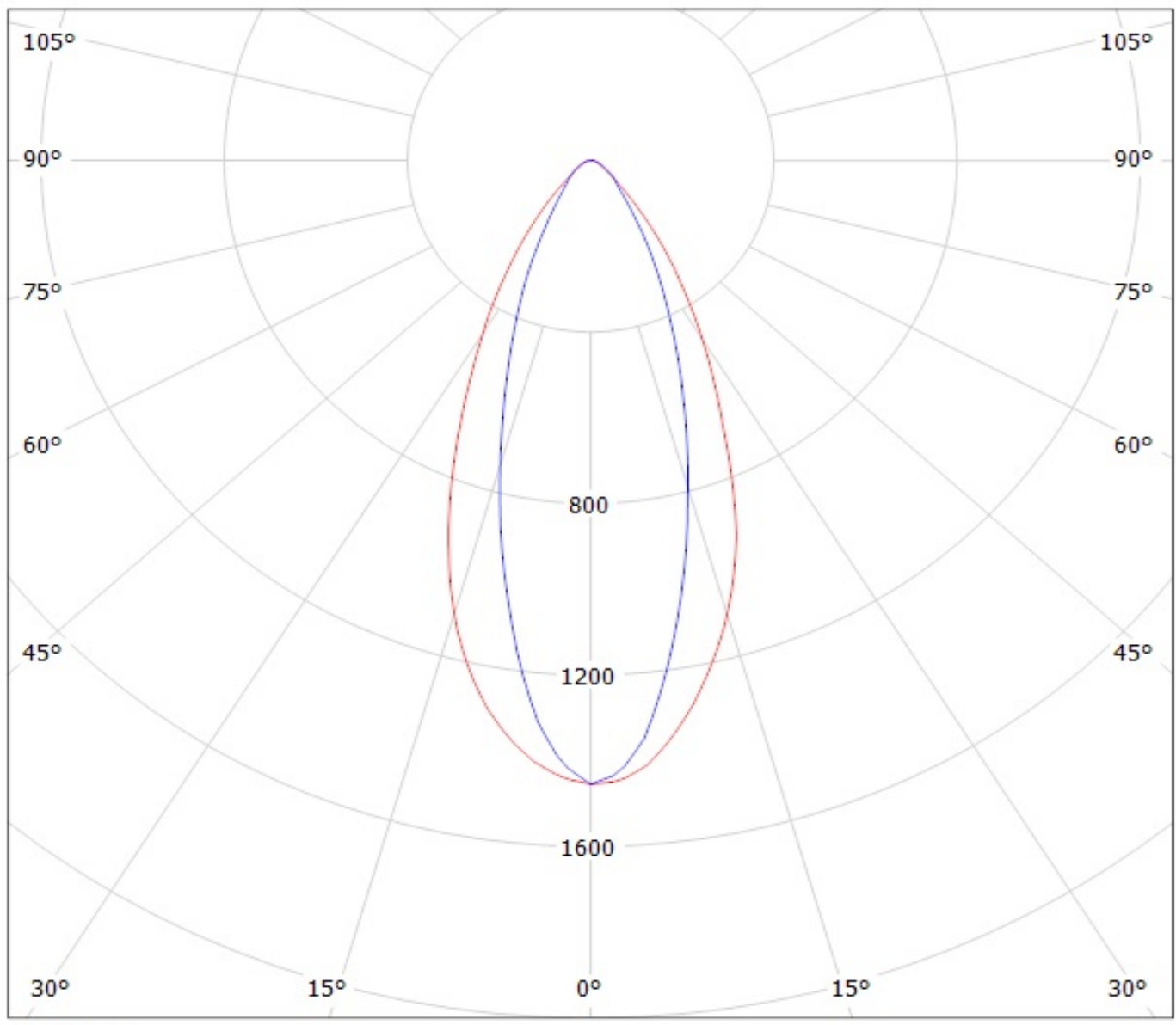


cd/klm

— C0 - C180 — C90 - C270

SIMULATED

Luminaire: Ledil Oy CA13044\_TINA3-00 (Cree XP-E 76lm @ 250mA) Efficiency=93%  
Lamps: 1 x Cree XP-E 76lm @ 250mA

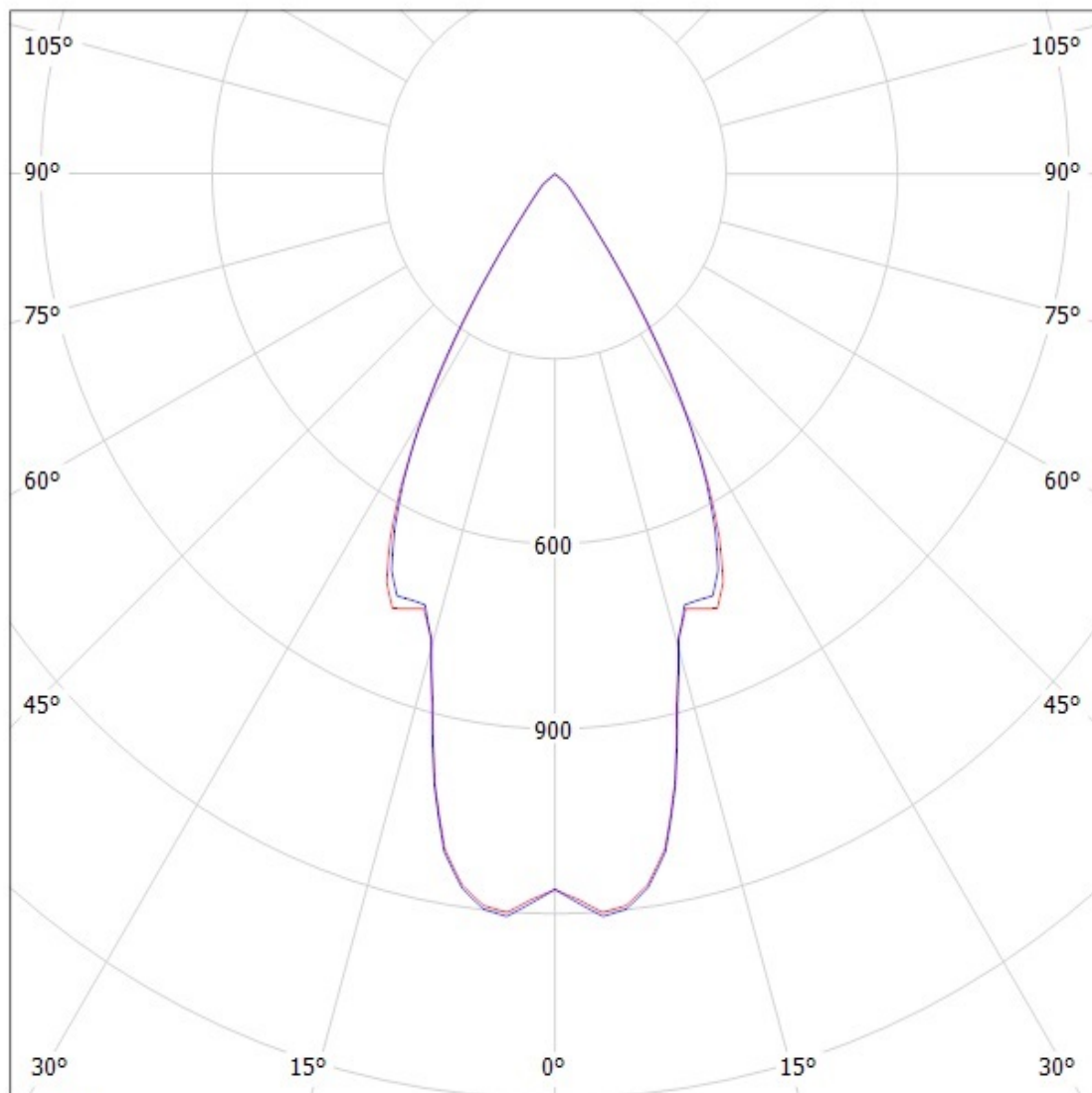


cd/klm  
— C0 - C180    — C90 - C270



Ledil Oy FA11825\_Tina3-WW-XP FA11825\_Tina3-WW-XP Cree XP-E (white) 72lm @ 250mA / LDC  
(Polar)

Luminaire: Ledil Oy FA11825\_Tina3-WW-XP FA11825\_Tina3-WW-XP Cree XP-E (white) 72lm @ 250mA  
Lamps: 1 x Cree XP-E white

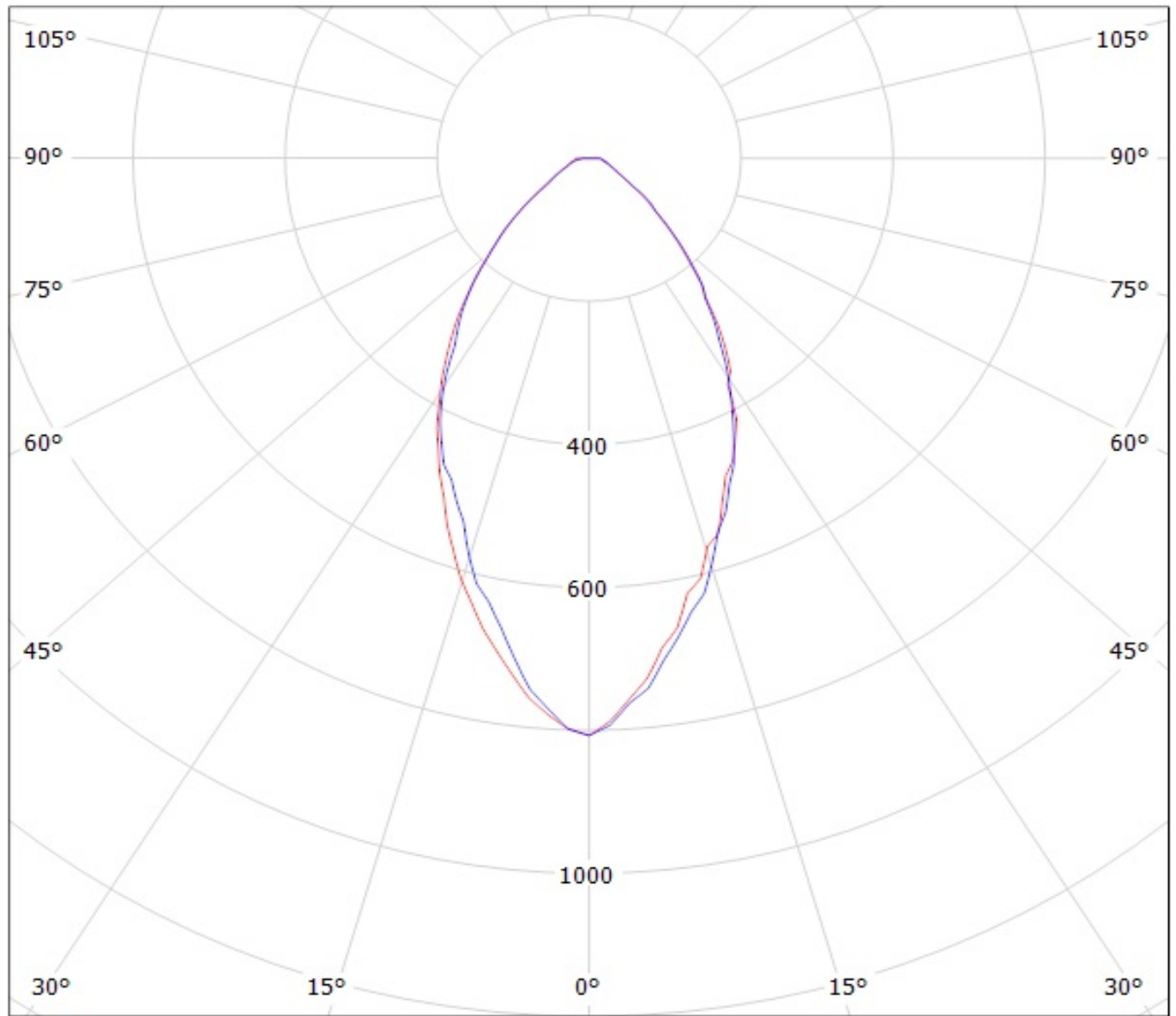


cd/klm

— C0 - C180 — C90 - C270

SIMULATED

Luminaire: Ledil Oy CA13045\_TINA3-WWW (Cree XP-E 76lm @ 250mA) Efficiency=92%  
Lamps: 1 x Cree XP-E 76lm @ 250mA

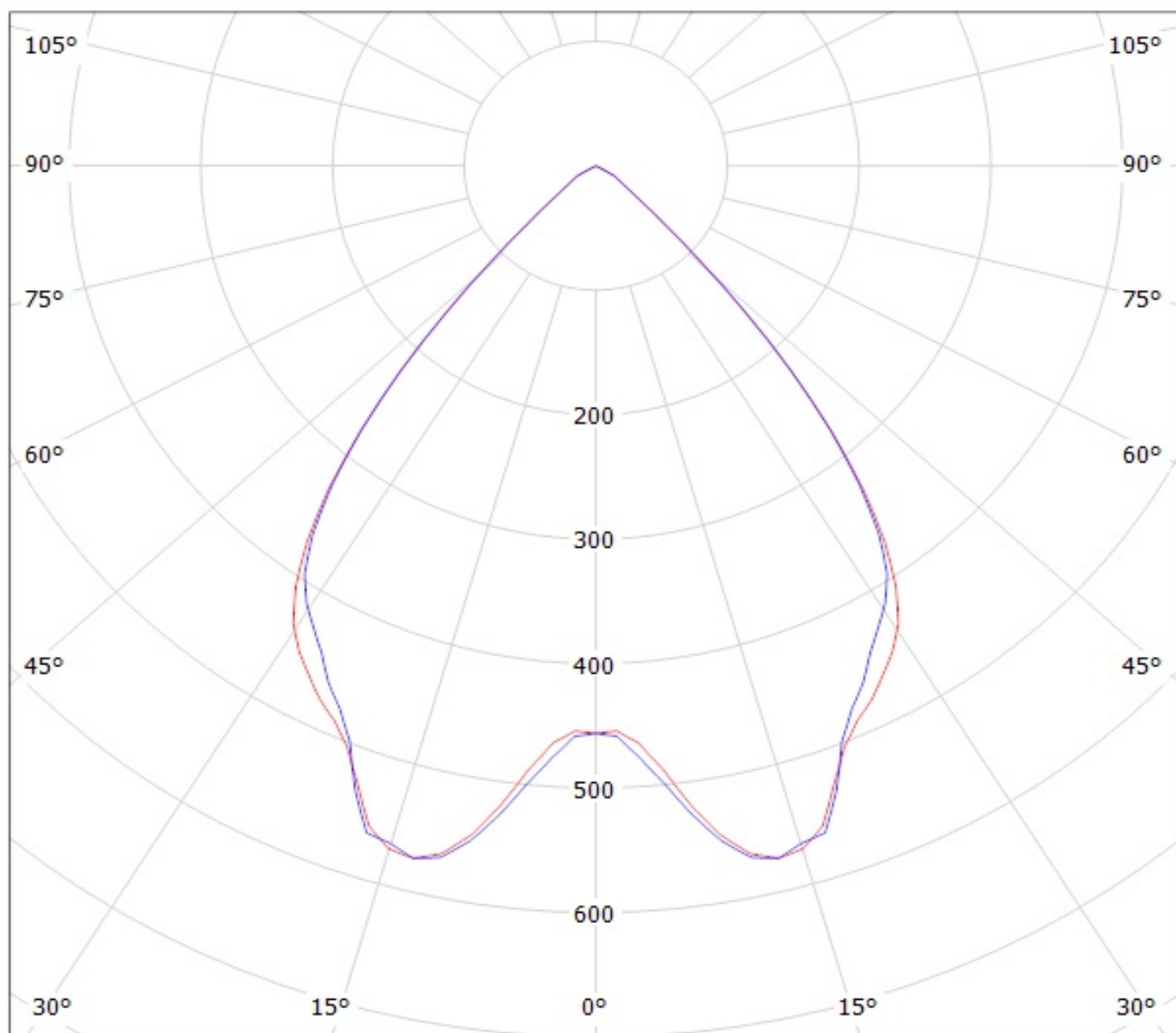


cd/klm

— C0 - C180

— C90 - C270

Luminaire: Ledil Oy FA11826\_Tina3-WWW-XP FA11826\_Tina3-WWW-XP Cree XP-E white 75lm @ 250mA  
Lamps: 1 x Cree XP-E white



cd/klm

— C0 - C180

— C90 - C270